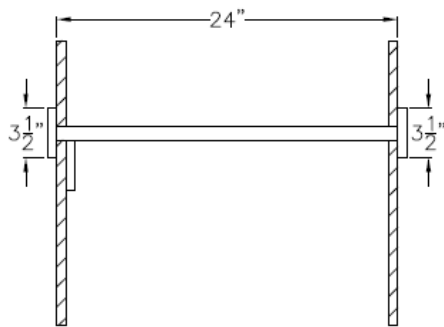
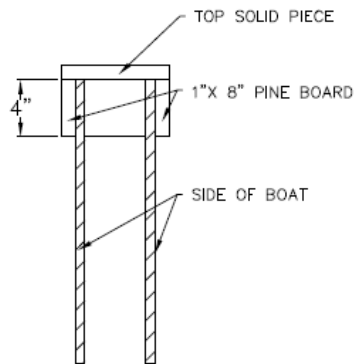
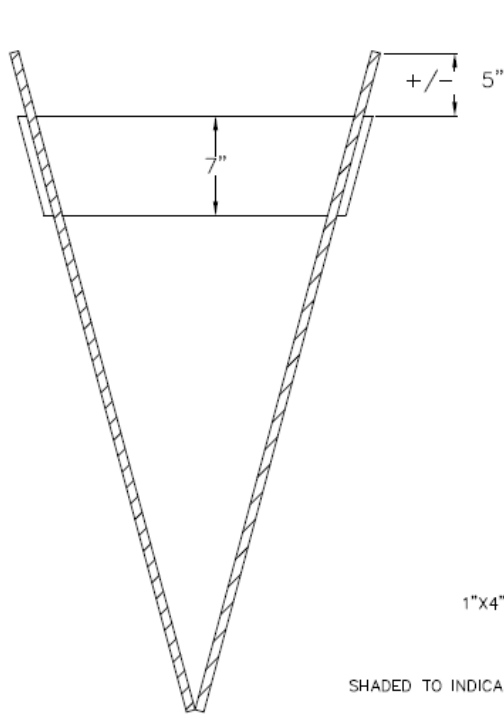
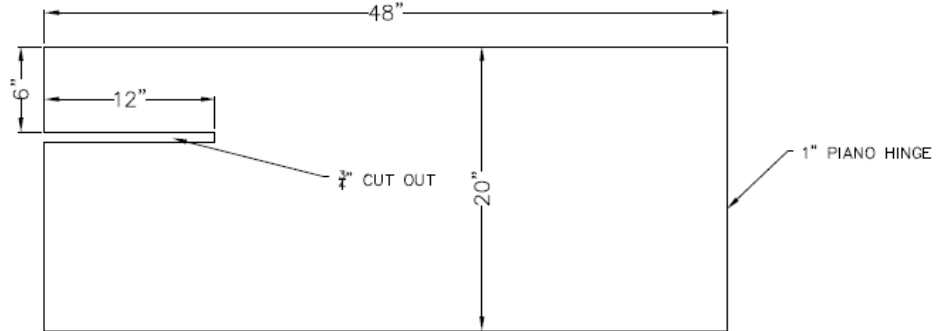


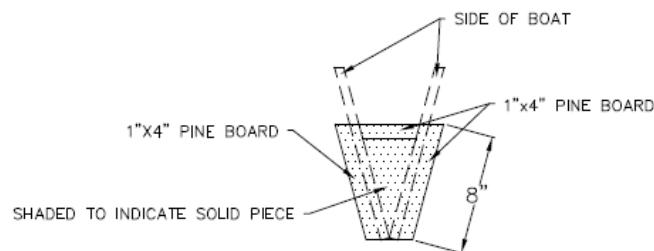
BOAT TRAINING TOOL



SEAT BACK VIEW



BOW BACK VIEW



Material List:

- 1 ea. – 48" sheet 1/2" plywood
- 1 ea. – 1" x 8" x 6" pine board
- 1" piano hinge
- Wood screws 1 1/2" #8
- Wood glue

Material list for classroom boat

- 1– 48" x 48" of 1/2" plywood (sanded one side)
- 1 – 1" x 8" x 8' pine
- 1- 24" x 1 1/2" piano hinge

#8 x 1 1/2" wood screws
Half gallon of paint of choice

I bought precut plywood rather than cut it myself, it cost a couple of dollars more but was worth it to me. I painted both sides of the plywood and pine board first rather than after assembly.

Second thing I did was to see how far to install the seat back from the bow by placing a shotgun so that it would touch the bow and still rest on the seat. I then cut a 3/4" wide channel 4' below the top of the boat, beginning at the back end.

I measured 4" down and 4 3/4" and 12 inches in from the back as a stopping point. I drilled a 3/4" hole through the board to make the end of the saw cut. I used a table saw with guide to set the widths making both 4" cuts first, followed by the 4 3/4" cut. I used a coping saw to square the corners out.

I then fastened the piano hinge to the inside of the boat so that it would fold out to make the boat and in for transportation.

I used a 22.5° angle for the spread, and inserted the pine board to the front of the cut. I marked both outside edges with a pencil and cut them with a miter saw. I made the outside stops by marking a piece of the pine board so that it extended 1" past the seat edge when in the finished position.

I made four equal length stops by dividing the pine board in two widths. Then cut each piece in two again to the required length. I centered them on the outside edge of the seat and fastened using four screws. I only installed one piece inside under the seat against the outside edge to keep it from sliding in. If you use two pieces inside, you are unable to remove the seat so that you can fold up the boat for transportation.

I made the bow with a piece of pine board, laying it perpendicular across the front and marking the outside edges with a pencil. I had decided to mount the outside pieces under the top piece so I added 3/4" to the marked width. I cut the parts with the miter saw, fastened the outside pieces to the top piece with wood screws. I took the previously made remaining stop, placed it inside the boat, under the bow, marked the cut lines, cutting it with the miter saw, installing it with wood screws.

I touched up the saw cuts and other edges with paint and let dry. The process took about four hours, but could do it with less time after making this one.

The bow piece and stops could be optional, but I felt it added to the appearance. I chose to use a seat so that it would represent the interior of a duck (john boat) style boat. I would recommend using a rug on the floor to prevent scratching the gun barrel.