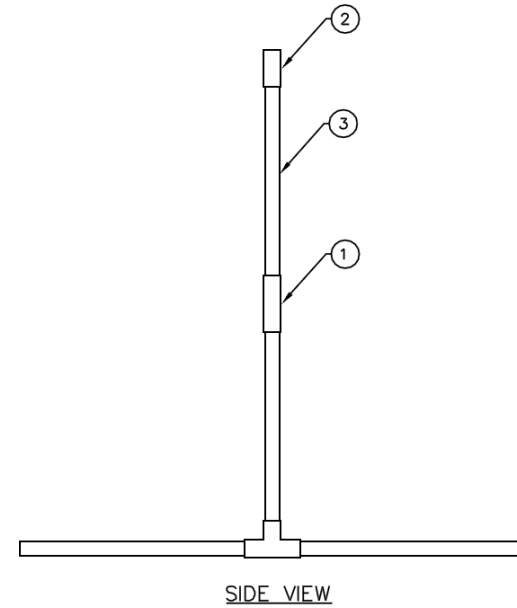
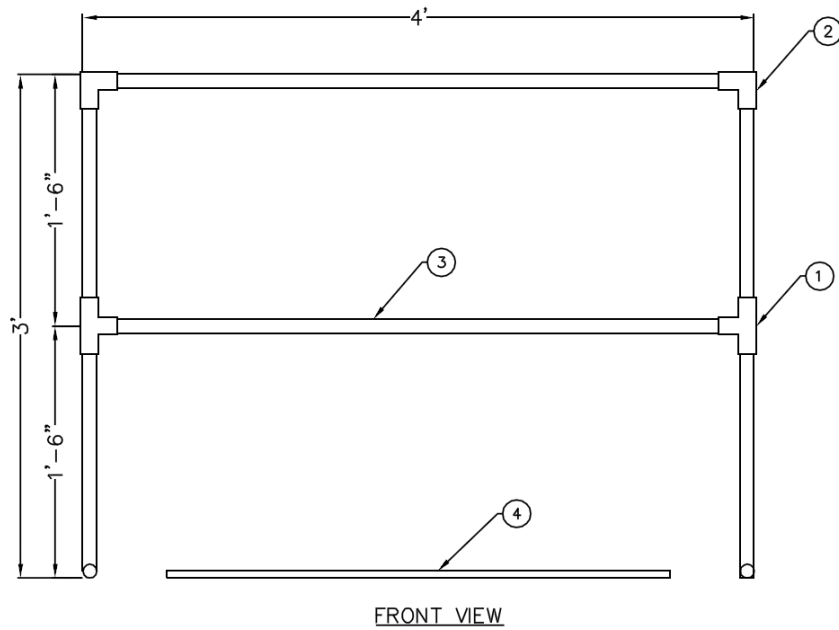


Fence Crossing Tool



Material List

1. 4 - 90° Tees
2. 2 - 90° Elbows
3. 20 LF 3/4" CPVC
4. 1 - 3' x 4' Throw Rug

You can obtain the material from any lumber supply store. You can use either 1" or 3/4" CPVC tubing. Cut material with saw and sand ends so they slide into fittings smoothly. Assemble for each use and store in sleeve-type storage bag. Epoxy legs into 90° tee to avoid losing fittings. Foot pieces and cross pieces should not be epoxied into fittings.